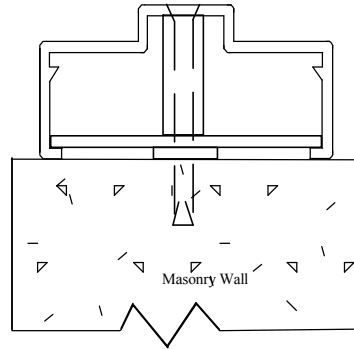
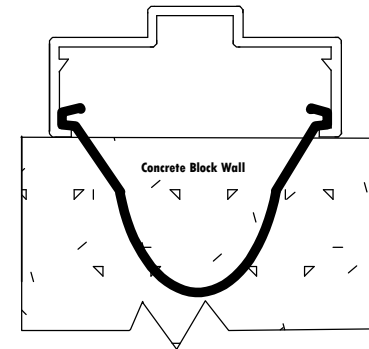


Existing Wall Anchor
 Click for detail drawing DD202A

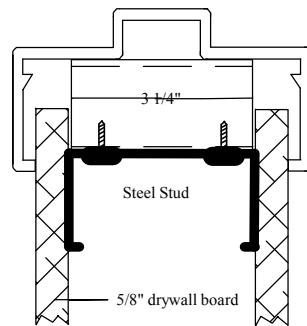


Masonry Anchor (Punch and Dimple)
 Click for detail drawing DD202B

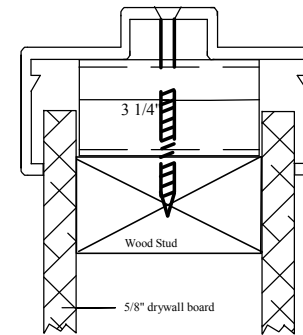


Wire Anchor
 Click for detail drawing DD202C

NOTE: Unless another anchor option is requested at the time of the quote, frames will be quoted with the wire anchor option.



Steel Stud Anchor
 Click for detail drawing DD202D



Wood Stud Anchor
 Click for detail drawing DD202E

Oshkosh Door Company reserves the right to change design and / or details of its products without notice