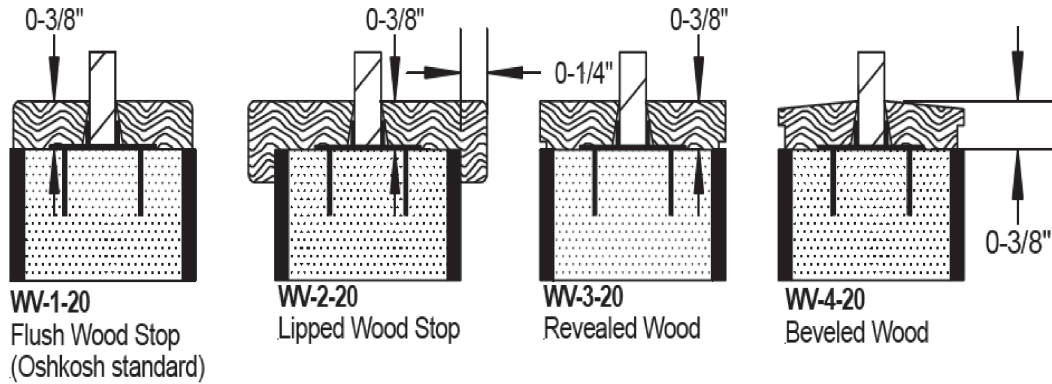
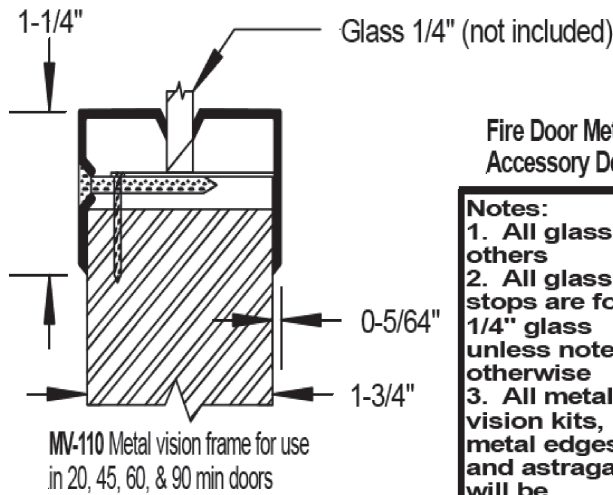


# Fire Door Wood Vision Kit Details

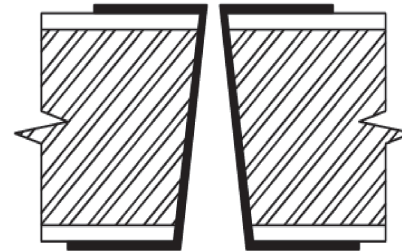
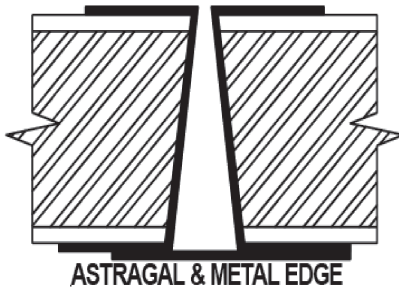
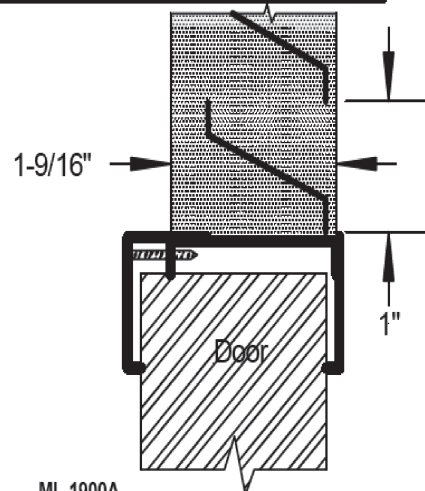


Glass is held in place by a metal clip system. Installation instructions are packaged with clips. Clips and wood moldings are supplied with the doors and field installed by others. **FOR USE IN 20 MINUTE DOORS ONLY**



## Fire Door Metal Accessory Details

- Notes:**
1. All glass by others
  2. All glass stops are for 1/4" glass unless noted otherwise
  3. All metal vision kits, metal edges and astragals will be furnished prime coated unless noted otherwise in options below.
  4. All fire rated pairs will be furnished with metal edges and or astragals unless noted otherwise in options below.



## OPTIONS

- Metal Vision Kits, metal edges & astragals to be veneered to match face veneer.
- Fire Rated Pairs to be furnished without metal edges & astragals. Max size for 20 min. is 8-0x9-0, for 45, 60, & 90 min is 6-0x7-0 (Not available with concealed devices on 45, 60 & 90 min. doors.)
- Fire Rated Pairs to be supplied with metal edges only, no overlapping astragal (both doors must be equipped with surface vertical rod exit devices). Maximum sizes, 8-0x10-0 for 20 min, 8-0x8-0 for 45, 60, & 90.

**OSHKOSH**

Door Company

FOR MORE INFORMATION  
Call 920-233-6161  
www.oshkoshdoor.com

Fire Door Vision Kits, Louver Kits and Astragal Details

DATE: 3/2013

DETAIL DRAWING SHEET **DD901**

SHEET OF