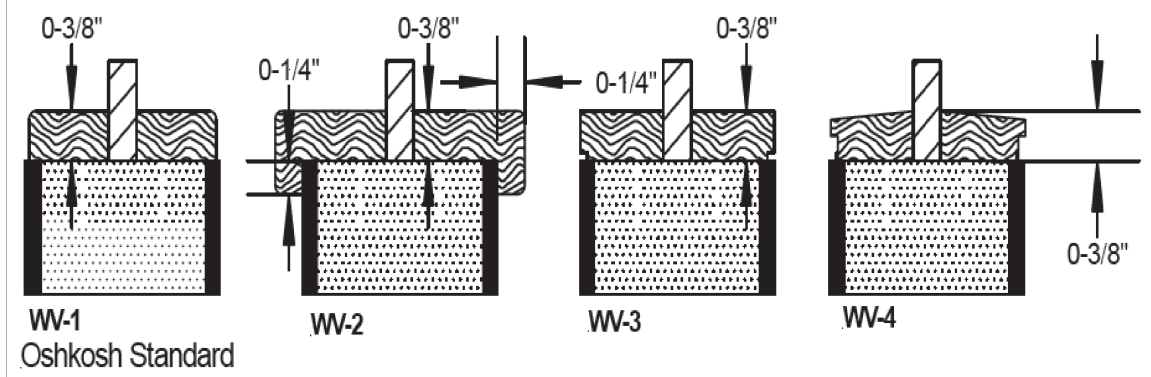
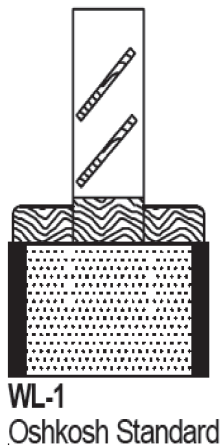


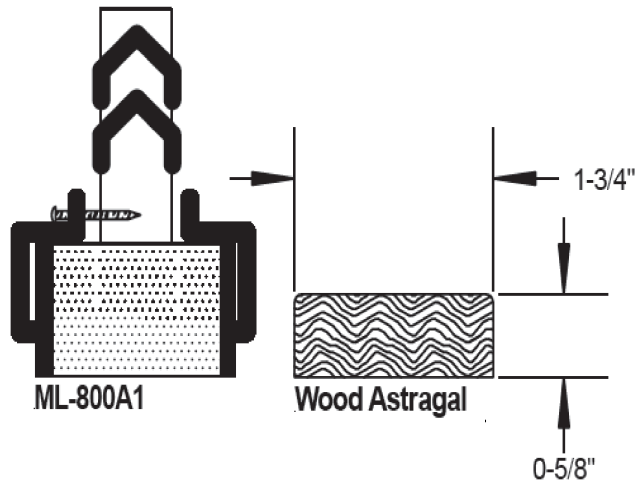
WOOD VISION KIT PROFILES



WOOD LOUVER KIT PROFILES



METAL LOUVER



NOTES:

1. WL-1 slats are 1/4" thick by 1 1/4" wide and spaced 1/4" apart providing 50% free air space. Slats are positioned at a 60 degree angle.
2. WL-2 chevron slats are 1/4" thick by 3/4" high and spaced 1/8" apart providing 25% free air space. Chevrons are positioned at a 60 degree angle.
3. All glass by others unless doors are ordered factory glazed.
4. All glass stops are set for 1/4" glass unless a special order is placed.

OSHKOSH

Door Company
FOR MORE INFORMATION
Call 920-233-6161
www.oshkoshdoor.com

Non-labeled Wood Vision Kits, Louver Kits
and Astragal Details

DETAIL DRAWING SHEET **DD900**

DATE: 4/2013

SHEET OF